



Design of Welds and Welded Connections for Engineers

The correct design and implementation of welds and welded connections is fundamental to **ensuring safety** and **minimising risk** on steel structures. As stakeholders in the process whether as designers, specifiers or certifiers, you need to understand your duty of care and responsibilities around the imperatives of:

- ◆ Designing fit-for-purpose safe structures
- ◆ Informing yourself of Best Practice approaches to both design and implementation

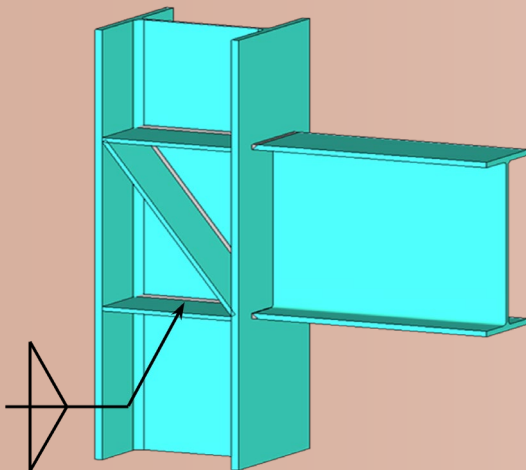
Seminar Value

This seminar is a must for:

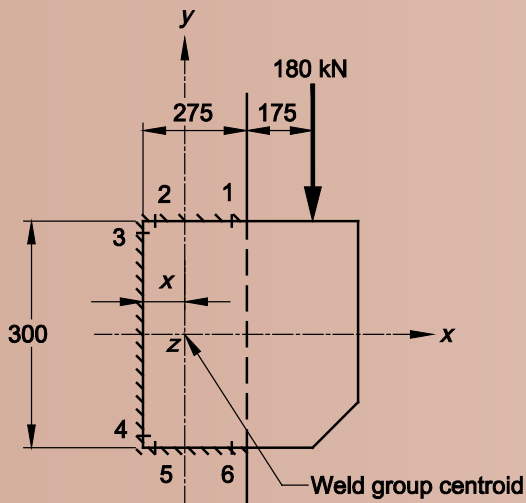
- ◆ **Structural designers** who need a fundamental understanding of weld and welded connection design
- ◆ **Structural designers** who are required to attend project workshop and site inspections and sign off on quality outcomes
- ◆ **Specifiers and certifiers** who need to both specify and recognise quality welding outcomes
- ◆ **Stakeholders** who are involved in welding quality outcomes and need to be better informed to satisfy their obligations for **duty of care under WHS regulations**

Bonus Insights

Learn about the upcoming revisions to AS 4100 and AS/NZS 5131 and how they reinforce the compliance mandate.



Location	Date	Venue
Brisbane	Monday 17 February	Brisbane Convention & Exhibition Centre, cnr of Merivale & Glenelg Streets, South Bank
Sydney	Tuesday 18 February	Rydges North Sydney, 54 McLaren Street, North Sydney
Melbourne	Wednesday 19 February	Amora Hotel Riverwalk, 649 Bridge Road, Richmond
Adelaide	Tuesday 25 February	Engineers Australia, Level 11, 108 King William Street, Adelaide
Perth	Wednesday 26 February	State Library, Great Southern Room, Francis Street, Perth



Dr Peter Key

Speaker

Dr Peter Key is ASI's National Technical Development Manager and a regular presenter on steel design and construction. He is part of Standards Australia Committee BD-001 responsible for AS 4100 Steel Structures and AS/NZS 5131 Steel Structures Fabrication and Erection Standards. He has also written a range of technical publications including the Structural Steelwork Fabrication and Erection Code of Practice.

Design of Welds and Welded Connections for Engineers

Program

12.00 pm	Registration and light lunch
12.30 pm	Introduction Weld types and terminology Weld strength fundamentals AS 4100 design context
2.30 pm	Afternoon Tea
3.00 pm	AS/NZS 1554 context Application to welded connection design Compliance and welding
5.00 pm	Q & A and close

Seminar Fee (incl. GST)

Fee includes personal copy of course notes (PDF), light lunch and afternoon tea.

\$375	ASI Member
\$455	Engineers Australia Member – to obtain the promo code, please send proof of current EA membership to membership@steel.org.au .
\$535	Non Member

The seminar will provide:

- ◆ A firm grounding in the basis for weld design for structural steel
- ◆ Basic principles and approaches to welded connection design for the structural engineer
- ◆ A strong understanding of the performance requirements that drive weld and welded connection design in **AS 4100 Steel Structures**
- ◆ The implementation requirements inherent in **AS/NZS 1554 Structural Steel Welding** that affect steel designers, in particular if you are required to engage in workshop or site inspections
- ◆ A definitive link to **compliance** and the requirements in **AS/NZS 5131 Structural Steelwork - Fabrication and Erection**

Register online at: <https://www.steel.org.au/events-awards/events/>